

# DOUBLE SCISSORS

## LIFTING TABLE WITH DOUBLE ACTION

### TECHNICAL SPECIFICATIONS

#### NOTE: EVERYTHING CAN BE CUSTOMIZED FOR YOUR NEEDS

- > LIFT CAPACITY: FROM 500 - 6000 KG
- > TRAVEL: 1100 - 4500 MM.
- > CLOSED HEIGHT: 270 - 1000 MM.
- > LENGTH: 900 - 4000 MM.
- > WIDTH: 650 - 2500 MM.
- > POWER SUPPLY: 3x400 V/50 HZ+PE
- > CE MARKED
- > AVAILABLE IN RAL COLOURS, STAINLESS OR GALVANIZED STEEL, HYGIENIC DESIGN AND ATEX
- > RUNS 10 LIFTS PER HOUR 8 HOURS A DAY (FULL TRAVEL)  
- PLEASE INQUIRE FOR INTENSIVE USE
- > 2 SAFETY LOCKS FOR MAINTENANCE
- > SAFETY TRIP BAR IN ALUMINIUM
- > 2 COMPONENT POLYURETHANE PAINT (RAL)



The TRANSLYFT double scissor lift is perfect when you just need that bit more height. Double vertical action for general material handling between levels, conveyor lifting, machine in and out-feed, pallet loading and packing lines.

A lifting table improves both efficiency and productivity while relieving your employees from everyday stresses caused by bending and lifting. A lifting table can provide a solution whenever heavy lifting, awkward working positions and height variations is a challenge.

See our standard double scissor models on the next page or find out more at [www.translyft.com](http://www.translyft.com)



Lifting tables can easily be constructed and set up as part of a packing line.

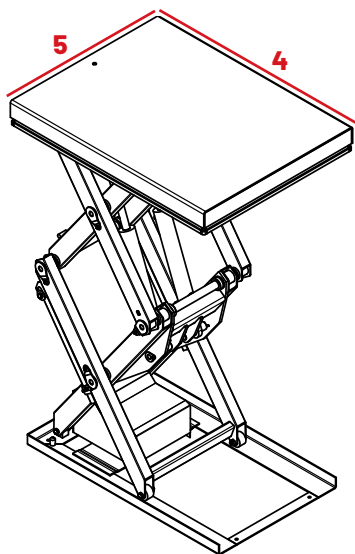


The lifting tables can be equipped with many different options such as a truck sleeve.



All lifts can be produced in ATEX, Hygienic Design, galvanized steel, stainless steel or a painted solution.

Type/Capacity kg	Travel mm	Closed height mm	Total raised height mm	Length mm	Width mm	Lift time sec	Motor kW	Weight kg
TRD 500	1100	270	1370	900	650	18	0,37	140
TRD 1000	1100	270	1370	900	650	18	0,75	175
TRD 2000	1000	335	1335	900	800	33	0,75	275
TLD 1000	1600	375	1975	1300	800	30	0,75	310
TLD 1000 F	1600	375	1975	1300	1000	30	0,75	340
TLD 2000	1600	400	2000	1300	900	32	2,2	375
TLD 2000 F	1600	400	2000	1300	1000	32	2,2	410
TBD 1000	1800	400	2200	1500	900	30	2,2	450
TBD 1000 F	1800	400	2200	1500	1200	30	2,2	495
TBD 2000	1800	400	2200	1500	900	42	2,2	490
TBD 2000 F	1800	400	2200	1500	1200	42	2,2	530
TMD 1000	2150	400	2550	1700	900	41	2,2	500
TMD 1000 B	2150	400	2550	1700	1200	41	2,2	570
TMD 2000	2150	400	2550	1700	900	59	2,2	605
TMD 2000 B	2150	400	2550	1700	1200	59	2,2	650
TMD 3000	2150	440	2590	1700	1200	65	2,2	750
TMD 3000 B	2150	440	2590	1700	1500	65	2,2	790
TAD 1000	2800	400	3200	2000	1200	49	2,2	685
TAD 2000	2800	400	3200	2000	1200	54	3	760
TAD 3000	2800	475	3275	2000	1300	60	4	970
TSD 1500	3000	450	3450	2200	1300	50	2,2	775
TSD 3000	3000	500	3500	2200	1300	65	4	1100
TTD 3000	3000	600	3600	2500	1300	80	4	1500
TPD 10000	4500	1100	5600	3800	2000	100	11	5000
TXD 4000	4500	800	5300	4000	2000	80	7,5	3100
TXD 6000	4500	1000	5500	4000	2500	90	11	4800



<b>Capacity</b>	Highest load capability (when loaded correctly)
<b>Travel (1)</b>	Travel from closed height to top position
<b>Closed height (2)</b>	Height at lowest position
<b>Total raised height (3)</b>	Height at top position
<b>Length (4)</b>	Platform length
<b>Width (5)</b>	Platform width
<b>Lift time</b>	Time in sec. to top position
<b>Motor</b>	Size of motor
<b>Weight</b>	Weight of table

