

FLOOR LEVEL LIFTER

THE STRONG AND CLEAN SOLUTION

TECHNICAL SPECIFICATIONS

NOTE: EVERYTHING CAN BE ADJUSTED FOR YOUR NEEDS

- > LIFT CAPACITY: 2200 LBS.
- > TRAVEL 35"
- > CLOSED HEIGHT: 8"
- > INSIDE LENGTH: 48"
- > INSIDE WIDTH: 42"
- > OUTSIDE LENGTH: 64"
- > OUTSIDE WIDTH: 65"
- > POWER SUPPLY: 3X400 V/50 HZ+PE
OR 1X110 V/60 HZ+N+PE
- > CE AND UL CERTIFIED
- > STAINLESS STEEL AISI 304 AND 316
- > RUNS 10 LIFTS PER HOUR 8 HOURS A DAY (FULL TRAVEL)
- PLEASE INQUIRE FOR INTENSIVE USE
- > 2 SAFETY LOCKS FOR MAINTENANCE
- > SAFETY TRIP BAR IN STAINLESS STEEL



The ergonomic stainless steel Floor Level Lift (FLL) is the perfect solution for limited floor space, heavy lifting and height variations in high sanitation environments.

The built-in ramp makes it highly innovative and makes the lift fit into the smallest of places with great access none the less. It will increase productivity and profits and prevent work related injuries caused by bending and lifting.

The combination of stainless steel and the FLL standard features makes this lifting table extremely sanitary and thus perfect for the food and pharmaceutical industries and corrosive environments.

The FLL is ideal for general materials handling, pallet loading and unloading and packing lines.

More information at www.translyft.com



The stainless steel solution makes it perfect for rugged conditions and use of aggressive cleaning products like in the food industry.



It is easy getting pallets on the floor or with the built-in ramp.



When stacking pallets the FLL helps to ensure that you are always working in the best ergonomic height.

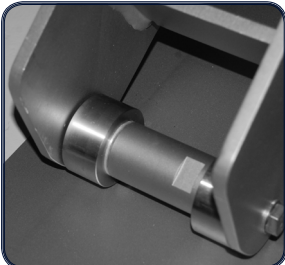
TYPE / CAPACITY LBS	TRAVEL IN.	CLOSED HEIGHT IN.	TOTAL RAISED HEIGHT IN.	INSIDE LENGHT IN.	INSIDE WIDTH IN.	OUTSIDE LENGHT IN.	OUTSIDE WIDTH IN.	LIFTING TIME SEC.	WEIGHT LBS
FLL 2200	35"	8"	43"	48"	42"	64"	65"	26	900

The FLL has separate power unit

STANDARD FEATURES



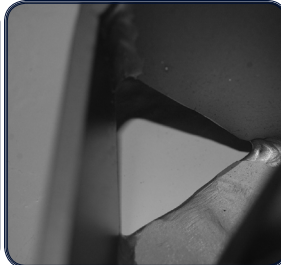
The built-in ramp allows you to drive the pallets directly onto the lifting table.



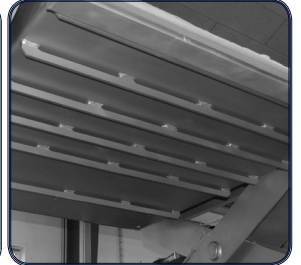
The bearings are approved by the FDA.



The safety trip bar removes the risk of jamming.

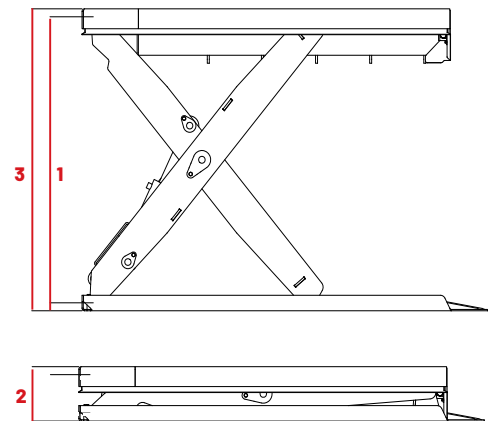
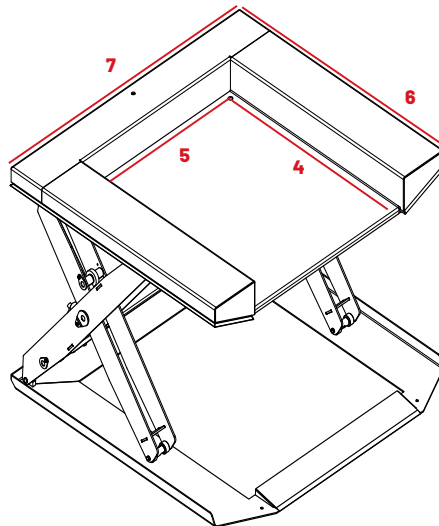


The drain holes makes the lifting table easier to clean.



The reinforcements under the table strengthens the table.

Capacity	Highest load capability (when loaded correctly)
Travel (1)	Travel from closed height to top position
Closed height (2)	Height at lowest position
Total raised height (3)	Height at top position
Inside lenght (4)	Inner platform lenght
Inside width (5)	Inner platform width
Outside lenght (6)	Outer platform lenght
Outside width (7)	Outer platform width
Lift time	Time in sec. to top position
Motor	Size of motor
Weight	Weight of table



Have any questions about dimensions or features? Please call us at +45 9886 4900 or find more information at www.translyft.com